

New

ELECTRONIC HORN(Class-4 Ship length overall 12-20m)

ESR-150



S

Small

The next standard features a low-profile design and minimal presence.

S

Smart

The latest digital control technology is packed into a tiny housing.

S

Strong

The rugged body withstands harsh environments and vibrations.

Microphone Amplifier

DPA-100

D-ARCHI
MICROPHONE AMPLIFIER

- ⬡ A compact and highly efficient amplifier equipped with the IBUKI D-ARCHI **digital**
- ⬡ Broadcasting function with the ESR-150 electronic horn
- ⬡ Hassle-free against the unexpected noise
- ⬡ Connecting optional speaker up to 10w
- ⬡ Amplifier is power on only when the Microphone talk switch is pressed



S

Series lineup



ESR-150 Electronic horn

Model	ESR-150
Frequency	630Hz
dB(1/3 Octave)	115dB over at1m
Rated voltage	DC12.8V ~ DC24V
Voltage range	DC11V ~ DC30V
Rated Ampere	1A
Size(mm)	W160 × H133 × D210
Weight	1.65kg



DPA-100 Microphone Amplifier

Model	DPA-100
Rated output	10W
External speaker	Max. 10W
Rated voltage	DC12.8V ~ DC24V
Voltage range	DC11V ~ DC30V
Rated Ampere	1.5A
Size(mm)	W160 × H64 × D45
Weight	0.3kg

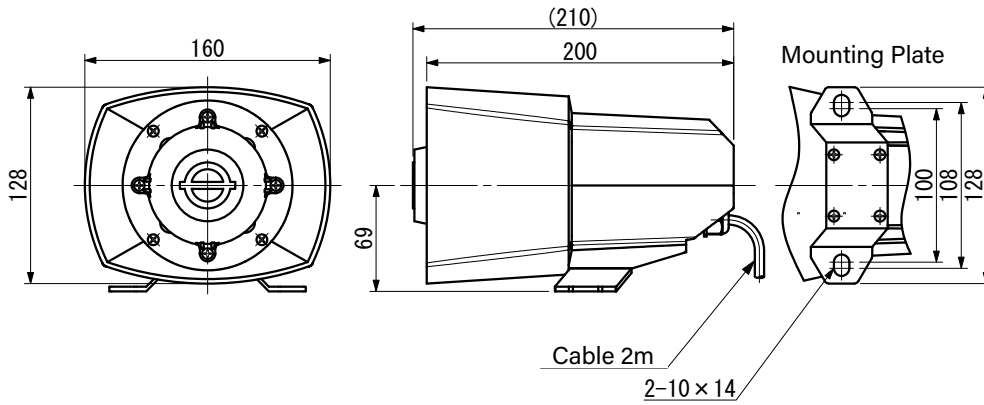


Speaker(Optional)

Model	MT-5W	MT-2.5W
Rated input	5W	2W
Output S.P.L.	105dB	90dB
Impedance	8 Ω	20 Ω
Size(mm)	160x133x210	82x82x82
Material	Polycarbonate	
Protection	Waterproof	-
Weight	1.6kg	0.35kg

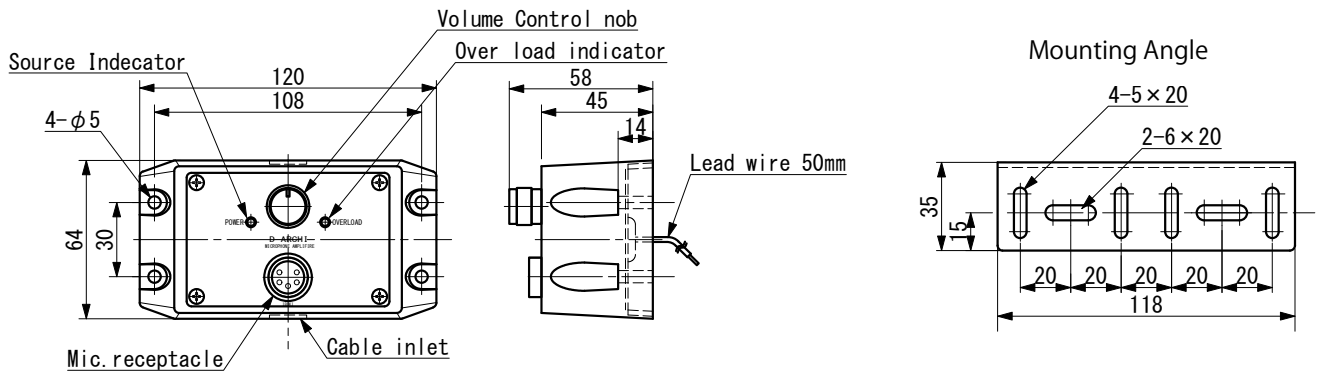
IBUKI KOGYO CO.,LTD.
www.ibukikogyo.co.jp

ESR-150 Electronic horn



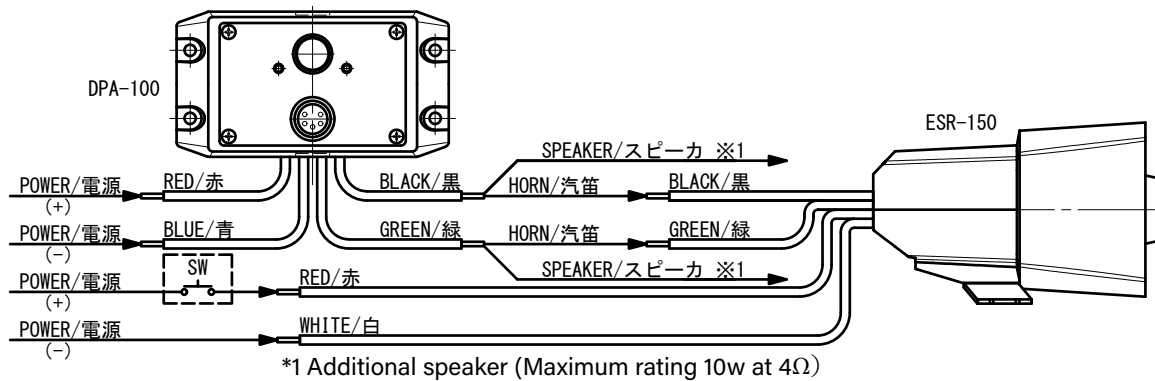
- Voltage range:DC11~30V
- Push button switch for blow(Genuine option:PBF-1)
- Protect the power supply with fuse,circuit breakers etc
- Use M8 bolt for installation
- Use DPA-100 Amplifier for broadcasting

DPA-100 Microphone Amplifier



- Voltage range: 11~30 VDC
- Amplifier activates on and off with
- Microphone talk switch
- Hangs and mounts with brackets
- Use the ESR-150 as a loudhailer

Wiring Diagram



Produced by

IBUKI KOGYO CO.,LTD.
 7-28 Takadono 1-chome Asahi-ku
 Osaka 5350031,JAPAN
 Tel : +81 6 6922 5115
 E-mai : ibukimk@ibukikogyo.co.jp
 URL : www.ibukikogyo.co.jp

Distributor

